

# CANADA EcoDesign

# PANADERO

## MEASURES

DIMENSIONS H x W x D	<b>2067-2835x700x500mm</b>
GROSS/NET WEIGHT	<b>139/129 kg</b>
FIREWOOD ENTRANCE	<b>460x295 mm</b>
SMOKE FLUE	<b>Ø 150-153 mm</b> Top

## CHARACTERISTICS

CAST IRON GRILL	
NOMINAL HEAT OUTPUT	<b>5,9 KW</b>
EFFICIENCY	<b>77%</b>
CO EMISSIONS	<b>0,10%</b>
HEAT RESISTANT PAINT	<b>800°C</b>
CERAMIC GLASS HEAT RESISTANCE	<b>750°C</b>

EAN 8426964188103  
REF. PANADERO 18810

## PRODUCT PLUS

### ECODESIGN



VERMICULITE LINING



WOOD LOG STORAGE



WOOD LOGS UP TO 50 CM



HEATING VOLUME



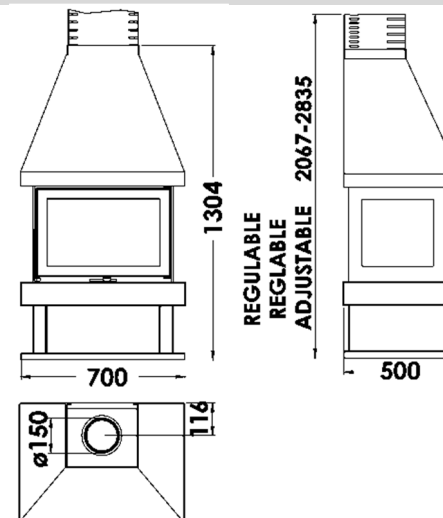
CLEAN GLASS SYSTEM



DOUBLE STEEL BODY  
SHEET 5 + 3 MM



TRIPLE COMBUSTION



**BImSchV2**

**Art. 15a B-VG**



CANADA EN